

SPECIFICATION SHEET

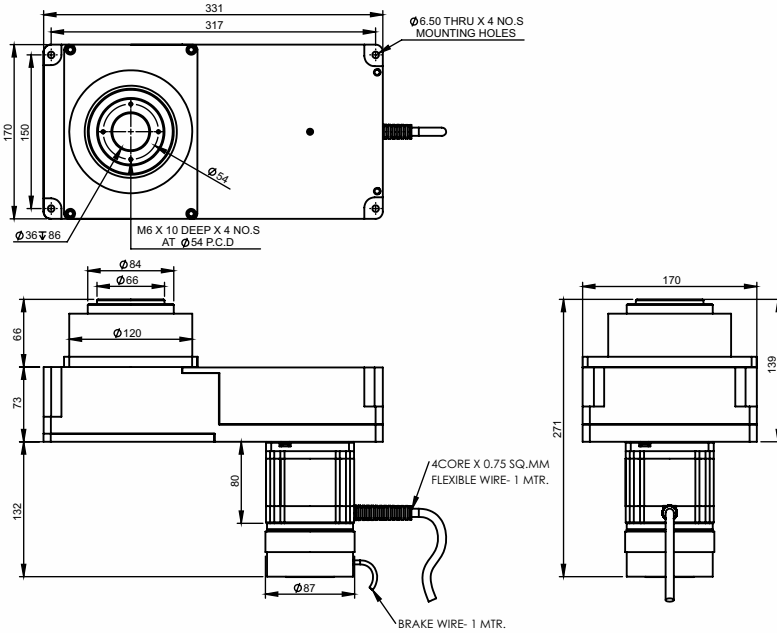
Bholanath

Rotary Indexing System

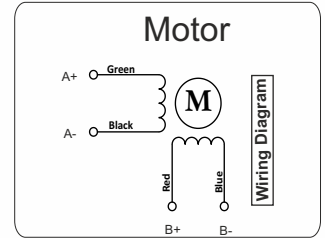
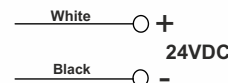
BH-RIS-02-C (M+E)



Stepper Motor Based Highly Accurate Rotary Indexing System Models- BH-RIS-02 -C Bholanath Rotary Indexing Systems are Used in all Automation Applications, Machine Tools and General Industry Applications Bholanath Manufacture Stepper Motor, Stepper Drives ,Power Supplies & Stepper Drive Controllers That Perfectly Compliment Rotary Indexing Systems.



BRAKE DETAILS :
 Torque : 5 Nm
 Voltage : 24 V
 Current at 20°C - 0.83 Amps
 Power Consumption at 20°C : 19.1 Watts



Indexing Degree :- 0.6°..3°..30°,45°,60°, 90°...180°...360°...
 {n(3)/1.8} where n is Indexing degree.

Example:- n=270°
 =(270X3)/1.8
 =450(Hence 270° indexing is possible)

Note:- Continuous Movement up to 100RPM

Stepper Drive
BH-SMART-6A
 Weight :- 350 gm
 Qty 01 Nos



Power Supply
BH-72VDC
 Weight :- 6KG
 Qty 01 Nos

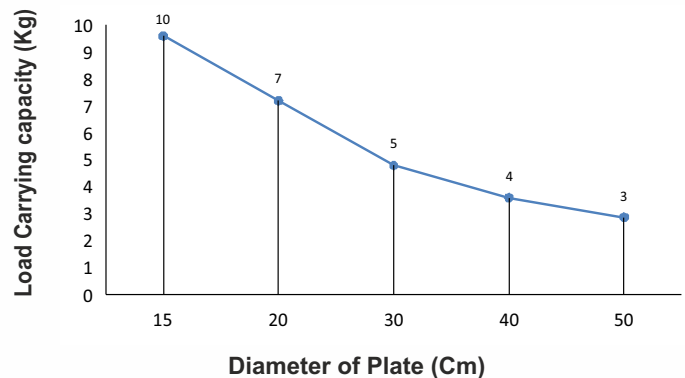


Stepper Drive Controller
BH-SDC-01-N
 Weight :- 0.3 KG
 Qty 01 Nos



TECHNICAL DATA

SPECIFICATION Model No		BH-RIS-02-C (M+E)
1	Maximum load carrying capacity(kg)	10
2	Output RPM	0 to 100
2	Gear Ratio of Indexing Table	3:1
3	Positioning Accuracy	± 1 Degree
4	Degree Of protection	IP 40
5	Total Weight Of Rotary Indexing (KG)	13
6	Total Weight Of Systems (KG)	18.2



Model No:- BH-RIS-02-C (M+E)



Bholanath Precision Engineering Pvt.Ltd.

11,Kembros Ind.Estate , Sonapur Lane , Bhandup (W),Mumbai - 400078.

Telefax/Phone : 25662856/25664338/67993260 Email : support@bholanath.in

Mobile No : 9920903825/9821671733/9930514603/9819515543/9323166582.